

Mounting and User Instructions

Lotus-2000 Stove Series

(Lotus 2060 and 2080)

Version 3, 01/03-2017



Introduction

Congratulations on your new Lotus Wood Stove

We sincerely trust that your Lotus Wood Stove will bring many happy hours for you. However, to benefit fully from your investment, you should read these instructions thoroughly. They contain some specific advice on how to benefit fully from your stove – now, and in the years ahead. So, like all other directions for use, keeping them in a safe place would be a good idea.

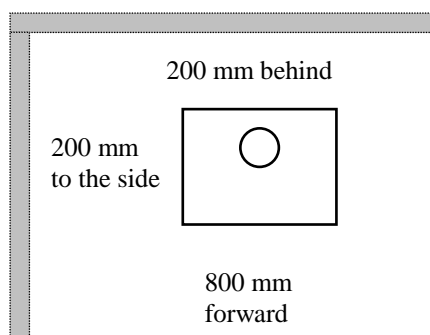
Lotus Wood Stoves are based on a long tradition; the first productions were way back in 1979. Our production is now run in Langeskov on Funen in Denmark, and is exported to a great many European markets. Our stoves are produced to sound Danish tradition, and have given their owners good and reliable service for years. So, once again, congratulations on your new Lotus wood stove. We feel certain that putting your Lotus wood stove in operation will inaugurate a warm and cosy beginning of a new home life for you.

Mounting of Stove

Before your new stove will be ready to exude warmth and cosiness, you should read these pages thoroughly. Pages reviewing the requirements for the mounting and for the surroundings. Reference is also made to the building and small house regulations applying at all times.

Distance to Combustible Material

For combustible material, such as combustible walls, furniture, etc., for reasons of safety a number of minimum distances apply. The following minimum distances apply to Lotus 2000:



Chimney

A good draught in your chimney is paramount to how well a stove will burn.

Note that there should be access to cleaning doors.

The effective height of your chimney should typically range between 3.5 and 4.5 metres. Effective height is to be understood as the distance from the stove top to the top of the chimney.

The inside diameter of the chimney shall be a diameter of min. 150 mm (interior dimension) in steel chimneys and a minimum diameter of 175-180 mm in brick chimneys or chimneys of ceramic units as their inside surfaces will frequently be rough and offer resistance.

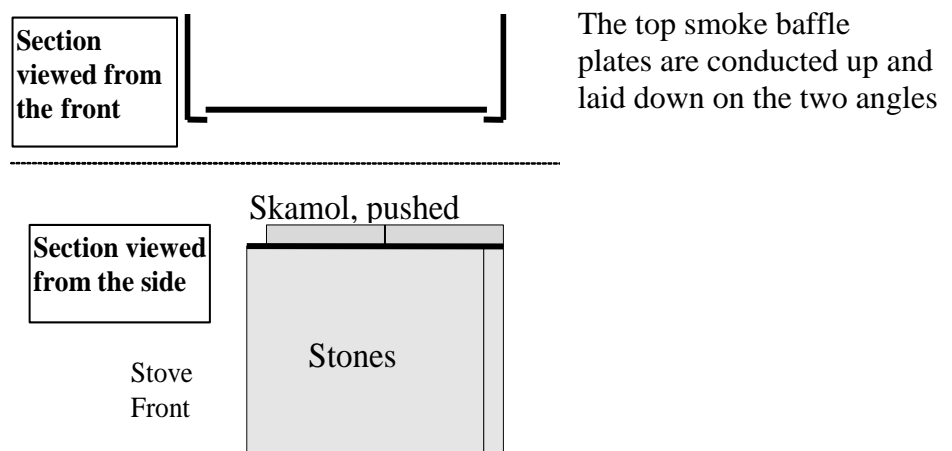
All joints and connection points shall, of course, be tight, and the chimney shall be able to provide a draught of a min. 1.2 mm water column (16 Pa).

Register

If your chimney has a register, it should have a forced aperture of min. 20 cm².

Mounting of Smoke Baffle Plates

Below, it has been shown how the smoke baffle plates are to be placed when viewing a section in the stove from the front and from the right hand side.



The bottom smoke baffle plates (Skamol) are pushed in over the stone holders and in to the rear wall.

Combustion Air Supply

It is important for good and clean burning that adequate air be supplied to the fire. To allow for this, it is, however, a condition that air be supplied to the room in which the stove has been set up.

Certainly most rooms will have sufficient air, not least if some of the doors between the rooms of the house are open. In special cases, an air valve may have to be put in the exterior wall of the room in which the stove has been put up.

Floor

When placing your new Lotus stove on the floor, it should be put on a non-combustible plate, for instance of steel or stone material. This plate should be so large as to reach a minimum of 30 cm in front of the stove, and 15 cm at each side of the fireplace opening.

Chimney Sweep

When your new oven has been mounted, do remember to report the installation to the chimney sweep. The installation is to be inspected by the local chimney sweep, and in the years ahead the chimney should be cleaned at least once a year or as needed.

Use of Stove

Kindling Wood

Kindling wood is the designation for finely split small wood/sticks some 20-23 cm long and having a thickness of about 3x3 to 4x4 cm.

Pieces of Firewood

Birch, beech, oak, ash, elm, conifers as well as fruit trees are all suitable for being chopped into firewood. Though conifers and some fruit trees do contain much resin, these may also be used, with closed doors.

Pressure impregnated wood, chipboard, coloured leaflets or glazed paper are, however, not suitable for being used as firewood. They will develop hydrochlorid acid or heavy metals much to the detriment of your stove and to the environment.

Wood for a Lotus-2000 stove should be 30-34 cm long and have cross section dimensions ranging between 7x7 and 10x10 cm. The most important aspect of good combustion is that your wood should be appropriately dry (of a humidity of 15-20%). If your wood is too wet, making it burn will be hard, the chimney draught will not occur, there will be a lot of smoke, and utilization will be low as water will need to evaporate first, and your stove will not yield adequate heat. Further, it may cause damage to your stove and chimney by way of shining soot and tar coverings. "Worst Case" would be a chimney fire. If your wood is far too dry, it will burn too quickly. Frequently the gases in the wood will be released quicker than they will burn, and some part of these will go up the chimney unburned. Thus yielding a lower rate of utilization and harming the environment.

Kindling and Stoking

1. Put about 2.4 kg kindling sticks in the middle of the stove, stacked crisscross like a log house. Put 2 fire-lighters in the middle, and ignite them.
2. Close the door entirely, and open the register in the ash door entirely. Open also the top register entirely. After 5-10 minutes close the register in the ash door. When the fire has burned down to embers, spread these in an even layer.
3. Now put two pieces of wood of sizes as described above on the embers, totalling a weight of 1, 9 kg. Put the pieces at the bottom of the stove, parallel with the stove front, leaving equal distances to the stove sides and at a reciprocal distance of about 1 cm. The foremost piece will ignite best if the chopped sides face the door and down the embers. Close the door entirely.
4. Close the register in the ash door again entirely.
5. Screw the top register about three turns back so that the aperture will be about $\frac{2}{3}$ (=4 turns open). This applies to a normally working chimney. If the chimney is particularly well working, supplying a little less air will do. If, however, your chimney draws badly, more air will have to be supplied. But use the flame picture as indicator of adequate air supply. The flames should go high, should be clear and alive, with a light yellow glow. If the flames are dark red, stagnant, it will be a sign of too little air.
6. When the firewood has burned down to embers, you start all over from item 3, again opening the air valves entirely for the first 2 – 5 minutes.

Ashes

Ashes may be discarded in the waste bin for refuse collection. The ashes should always have cooled for 24 to 48 hours before being thrown into the waste bin as there may otherwise still be embers that may ignite waste or the waste bag.

Sound Advice

Cleaning of Stove

All Lotus stoves have been factory surface treated with original Senotherm lacquer in “coke” or “grey” colour. Due to this treatment, the stove will, during the first kindlings, exude a special odour but that will vanish after a few times. Good airing to be provided. The surface is maintained by brushing it using a soft, long-haired auto brush or by using the vacuum cleaner with a brush..

Stove Maintenance

Packings may seem to look nice, they will, however, collapse in the heat, thereby losing their ability to keep your stove tight. Packings should be changed once a year if your stove is used frequently. If your stove is used heavily, or if it has been very hot, packings may also have to be changed more often.

The shaker grate may by heavy heat impact become worn or, at worst, crack. It is easily replaced by lifting it a couple of cm, releasing it from the draw bar, and removing it. The grate frame holding the shaker grate may be replaced through the ashpan as this has been screwed on by four nuts.

The smoke baffle plates may become worn. These may be easily replaced and mounted as described above.

Painting of your stove using Senotherm spray may cover stains or small scratches from kettles or other. Heavy damage to be ground with fine steel wool, vacuum cleaned, and then sprayed. Shake the spray can very heavily, and spray on at a distance of 15-20 cm. It is most important that your stove will be out of operation and quite cold before you use your spray, otherwise heavy damage may be inflicted on account of fire risk.

Renovation of the entire stove may be arranged by your distributor. A renovation will normally include sandblasting, painting, replacement of stones as well as packings, also at the glass.

Storage of Wood

The best storage of the wood is under roof though still with good airing, for instance in a car port or under a shed roof. Preferably put your wood on a wooden pallet or similar, clear of the earth. Fresh wood, sawn and chopped, should preferably be left in this manner for one or two years depending on the species of wood.

Items available in stove

In the stove, the present mounting and user instructions are available, as well as gloves good for operating the hot handle and control of register. For mounting of soapstones separate mounting directions will be provided with stone set.

Operating Trouble

In case of any operating trouble with your Lotus stove, you may find the cause of that below. If not, please do not hesitate to contact your Lotus distributor.

Stove hard to control – burning too quickly

For a new installation, read the directions for use, and follow items 3 and 4 on register setting and flame picture.

If your stove has been used for some considerable time or has been exposed to specially heavy heating, the packings should be changed. If the packings are on for too long, the heat will cause the packings to lose their capability of keeping your stove tight.

Stove drawing badly after installation

Check that the mounting instructions have been followed. In particular, conditions around the chimney may cause trouble. Are the diameter and the length OK, is it tight, are the flue pipes and the transitions tight? A chimney sweep may have to be contacted to remedy the problem as the chimney may be clogged.

Smelling of Smoke and Soot

This may be due to wind down draught in the chimney and will mostly occur in certain wind directions. The chimney may be too short in relation to the roof ridge, or trees may have grown up and may be causing turbulence.

Your stove is hard to make burn and may go out

There may be a number of reasons for this. The most typical ones are

The register is not open enough.

The chimney draught is too small; it may be clogged or leaky.

The wood is too wet.

The layer of embers was too small/no longer glowing and did not produce heat enough to kindle the pieces of wood. Some primary air may be fed through the ashpan register to get the stove going again after which it is again closed entirely.

Depending on the type of problem you may have to contact your Lotus distributor or a chimney sweep.

WARRANTY

Lotus Wood Stove – 10-Year Warranty

From 1 September 2014, Lotus is offering a 10-year warranty instead of a five-year warranty. This warranty applies to stoves which are supplied by Lotus after this date.

This warranty covers Lotus Wood Stove model _____ production no. _____ purchased on the _____.

This warranty covers normal firing – i.e. using ordinary chopped wood and pressed wood briquettes, and only provided the stove is otherwise operated to the specifications of the directions for use.

This warranty covers the faultless function of the stove, and does not cover overheating damage, damage to lacquer, wearing parts and movable parts such as glass, Skamol, stones, shaker grate, smoke baffle plates, packings, slide gate, and closing gear.

This warranty shall lapse if this stove is not operated so as to comply with the directions for use, and if deficiencies or similar are aimed to be/are remedied by a person not authorized by Lotus Heating Systems A/S. This warranty does not cover damage caused by inappropriate non-expert/incompetent use of the stove.

If a product is returned to Lotus Heating Systems A/S, and the damage subsequently turns out not to be covered by this warranty, any costs incurred shall be incumbent on the customer.

For any warranty repair, the warranty period for the repair carried out shall not be extended but shall continue to follow the original warranty period.

This warranty shall be valid only if duly completed and subject to simultaneous presentation of distributor's original invoice. The warranty period shall follow the invoice date.

Congratulations on your new Lotus Wood Stove.

Yours Sincerely,

Distributor:



Johnny Ebstrup
Lotus Heating Systems A/S